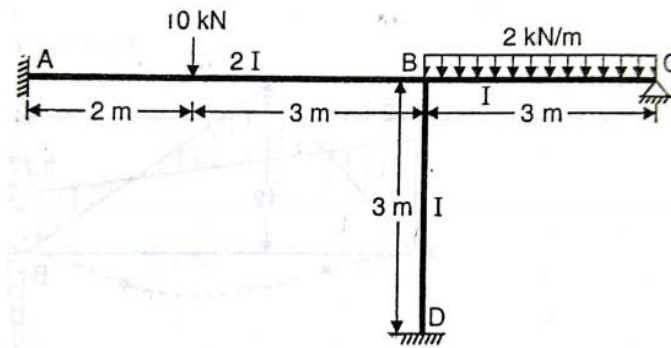


ASSIGNMENT NO 15

1. Analyze the frame as shown in fig.



2. Analyze the frame as shown in fig

